

# LUMISTAR

## LS-08-PUSE Upper L-Band, S-Band, and NATO E-Band Antenna Data Sheet

### Description:

The Lumistar LS-08-PUSE Upper L-Band, S-Band, and NATO E-Band Precision Broadband Antenna is the ideal companion to the LS-25 Series Receiver to provide a low cost, quick look receiving system with high performance. This small, lightweight antenna has vertical polarization and covers the frequency range from 1700 MHz to 2500 MHz. The antenna has 9dBi of Gain with a horizontal and vertical field of view of 60 degrees. It is suitable for outdoor fixed or mobile applications.



### Key Features:

- Frequency Range covers Upper L-Band, S-Band, and NATO E-Band
- 1700-2500 MHz
- 9 dBi Gain
- Small size, light weight
- Inexpensive
- Vertical Polarization
- Tripod Optional

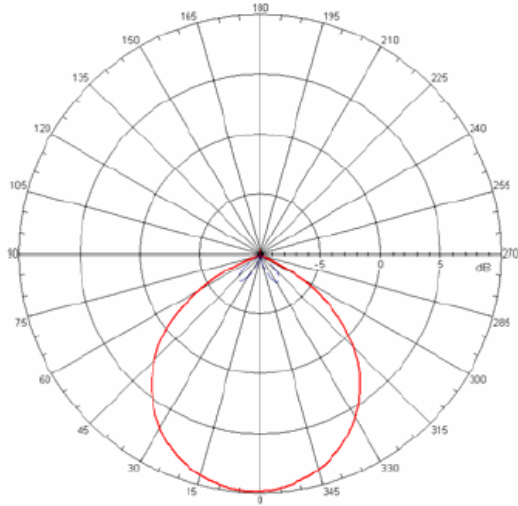
### SPECIFICATIONS:

#### Performance, Physical and Environmental:

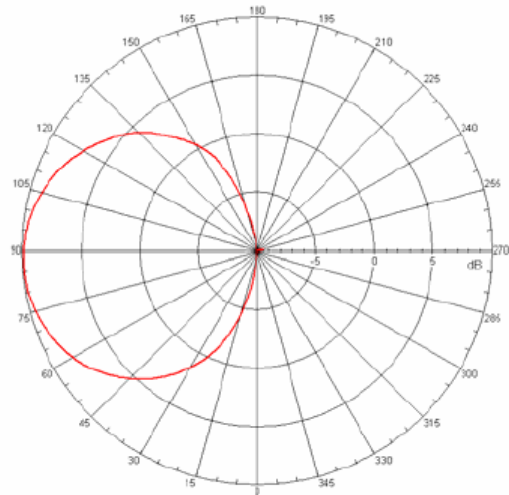
Frequency Range	1700 MHz to 2500 MHz
Impedance/VSWR	50 Ohm/1.5:1
Gain (typical)	9 dBi
Dimensions (L x W x H)	6.2 in (158mm) x 4.2 in (107mm) x 1.3 in (33mm)
Weight	0.3 lbs (0.14 kg)
Construction	Aluminum Ground Plane
Radome material	Polycarbonate
Radome color	White
Rating	Outdoor; fixed or mobile
Connector	SMA female (Type N Optional)

# LUMISTAR

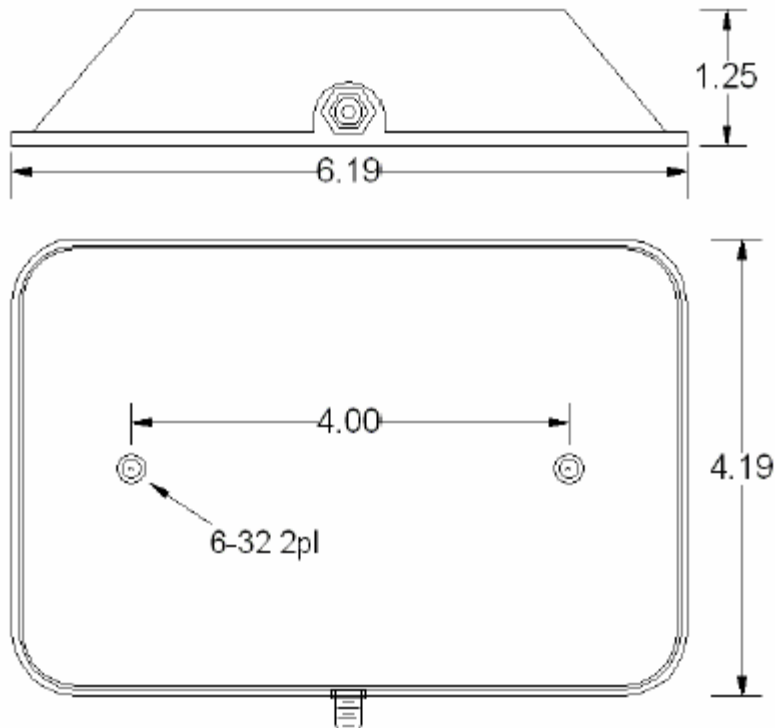
## LS-08-PULSE Upper L-Band, S-Band, and NATO E-Band Antenna Data Sheet



Azimuth



Elevation



Dimensions in Inches

Lumistar, Inc.

5870 El Camino Real

Carlsbad, CA 92008

PHONE: 760-431-2181

FAX: 760-431-2665

EMAIL: [sales@lumistar.net](mailto:sales@lumistar.net)

<http://www.lumi-star.com>

Specifications are subject to change. Please verify the latest specifications at time of order.

4-15-08